

# SJ-VR STREAMJET

## VARIABLE RATE FERTILIZER TIPS

The SJ3-VR and SJ7-VR line of variable rate fertilizer spray tips feature a variable diameter orifice that produces a wide range of flow rates - it's like having 5-tips in one. This allows for a wider range of ground speeds and/or application rates from a single tip for improved productivity. These tips are also ideal for variable rate prescription map applications. The elastomer orifice design provides consistent flow rate performance while utilizing a simple, reliable design with no springs or moving parts.

### FEATURES:

- SJ7-VR tip produces seven identical fluid streams for excellent distribution quality in broadcast applications.
- SJ3-VR produces three identical fluid streams ideal for directed applications.
- Solid stream pattern minimizes leaf burn and virtually eliminates drift.
- Acetal body and deflector plate construction for good wear life and chemical resistance.
- Simple, elastomer (EPDM) variable orifice for reliable operation.
- Recommended operating pressure:  
SJ3-VR: 20-100 PSI (1.5-7.0 bar)  
SJ7-VR: 30-80 PSI (2.0-5.5 bar)
- SJ3-VR and SJ7-VR are intended for use with flow meter based control systems only.

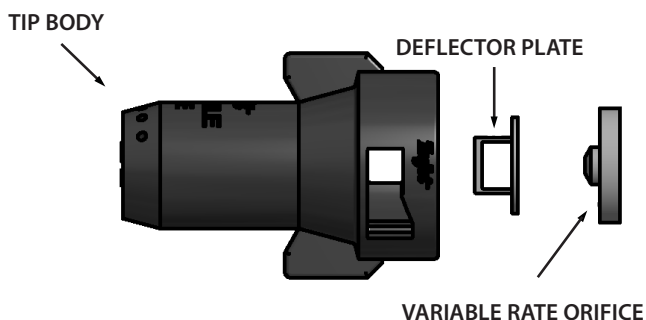


SJ3-VR  
STREAMJET TIP



SJ7-VR  
STREAMJET TIP

### SJ7-VR EXPLODED VIEW



## APPLICATION INFORMATION

Nozzle	Liquid Pressure in psi	Capacity 1 Nozzle in GPM	GPA for 15" Spacing (water)									
			5 mph	6 mph	7 mph	8 mph	10 mph	12 mph	14 mph	16 mph	18 mph	20 mph
SJ3-VR	20	0.21	16.6	13.9	11.9	10.4	8.3	6.9	5.9	5.2	4.6	4.2
	30	0.26	21	17.2	14.7	12.9	10.3	8.6	7.4	6.4	5.7	5.1
	40	0.33	26	22	18.7	16.3	13.1	10.9	9.3	8.2	7.3	6.5
	50	0.40	32	26	23	20	15.8	13.2	11.3	9.9	8.8	7.9
	60	0.48	38	32	27	24	19	15.8	13.6	11.9	10.6	9.5
	70	0.58	46	38	33	29	23	19	16.4	14.4	12.8	11.5
	80	0.68	54	45	38	34	27	22	19	16.8	15.0	13.5
	90	0.80	63	53	45	40	32	26	23	20	17.6	15.8
100	0.93	74	61	53	46	37	31	26	23	20	18.4	

Nozzle	Liquid Pressure in psi	Capacity 1 Nozzle in GPM	GPA for 20" Spacing (water)									
			5 mph	6 mph	7 mph	8 mph	10 mph	12 mph	14 mph	16 mph	18 mph	20 mph
SJ3-VR	20	0.21	12.5	10.4	8.9	7.8	6.2	5.2	4.5	3.9	3.5	3.1
	30	0.26	15.4	12.9	11.0	9.7	7.7	6.4	5.5	4.8	4.3	3.9
	40	0.33	20	16.3	14.0	12.3	9.8	8.2	7.0	6.1	5.4	4.9
	50	0.40	24	20	17.0	14.9	11.9	9.9	8.5	7.4	6.6	5.9
	60	0.48	29	24	20	17.8	14.3	11.9	10.2	8.9	7.9	7.1
	70	0.58	34	29	25	22	17.2	14.4	12.3	10.8	9.6	8.6
	80	0.68	40	34	29	25	20	16.8	14.4	12.6	11.2	10.1
	90	0.80	48	40	34	30	24	20	17.0	14.9	13.2	11.9
100	0.93	55	46	39	35	28	23	19.7	17.3	15.3	13.8	

Nozzle	Liquid Pressure in psi	Capacity 1 Nozzle in GPM	GPA for 20" Spacing (water)									
			5 mph	6 mph	7 mph	8 mph	10 mph	12 mph	14 mph	16 mph	18 mph	20 mph
SJ7-VR	30	0.28	16.6	13.9	11.9	10.4	8.3	6.9	5.9	5.2	4.6	4.2
	40	0.35	21	17.3	14.9	13.0	10.4	8.7	7.4	6.5	5.8	5.2
	50	0.44	26	22	18.7	16.3	13.1	10.9	9.3	8.2	7.3	6.5
	60	0.55	33	27	23	20	16.3	13.6	11.7	10.2	9.1	8.2
	70	0.67	40	33	28	25	19.9	16.6	14.2	12.4	11.1	9.9
	80	0.80	48	40	34	30	24	19.8	17.0	14.9	13.2	11.9

Nozzle	Liquid Pressure in psi	Capacity 1 Nozzle in GPM	GPA for 30" Spacing (water)									
			5 mph	6 mph	7 mph	8 mph	10 mph	12 mph	14 mph	16 mph	18 mph	20 mph
SJ7-VR	30	0.28	11.1	9.2	7.9	6.9	5.5	4.6	4.0	3.5	3.1	2.8
	40	0.35	13.9	11.6	9.9	8.7	6.9	5.8	5.0	4.3	3.9	3.5
	50	0.44	17.4	14.5	12.4	10.9	8.7	7.3	6.2	5.4	4.8	4.4
	60	0.55	22	18.2	15.6	13.6	10.9	9.1	7.8	6.8	6.1	5.4
	70	0.67	27	22	19.0	16.6	13.3	11.1	9.5	8.3	7.4	6.6
80	0.80	32	26	23	19.8	15.8	13.2	11.3	9.9	8.8	7.9	

Note: Always double check your application rates. Tabulations are based on spraying water at 70°F (21°C).

### How To Order:

Example:

PART NUMBER	DESCRIPTION
SJ7-VR	7 Stream Variable Rate Fertilizer Tip

WEIGHT OF SOLUTION	Specific Gravity	CONVERSION FACTOR
7.0 lbs./gal	0.84	0.92
8.0 lbs./gal	0.96	0.98
8.34 lbs./gal	1.00 - WATER	1.00
9.0 lbs./gal	1.08	1.04
10.0 lbs./gal	1.20	1.10
10.65 lbs./gal	1.28 - 28% NITROGEN	1.13
11.0 lbs./gal	1.32	1.15
12.0 lbs./gal	1.44	1.20
14.0 lbs./gal	1.68	1.30

\*NOTE: Conversion factors must be used when spraying solutions heavier or lighter than water. First, multiply desired application rate by the appropriate conversion factor above. Then use the new application rate to select the most appropriate operating pressure from the application chart on this page.

OPTIMUM SPRAY HEIGHT	
NOZZLE SPACING	SPRAY HEIGHT
20"	20"
30"	30"
40"	40"

\* For best spray distribution maintain a 1:1 ratio of tip height to tip spacing.

